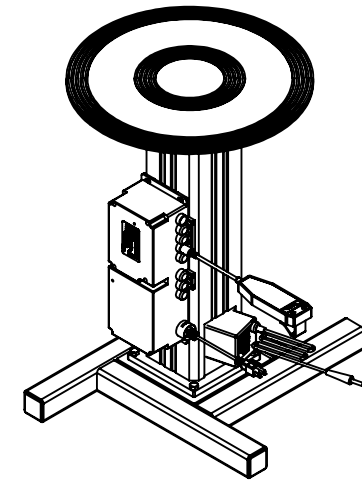
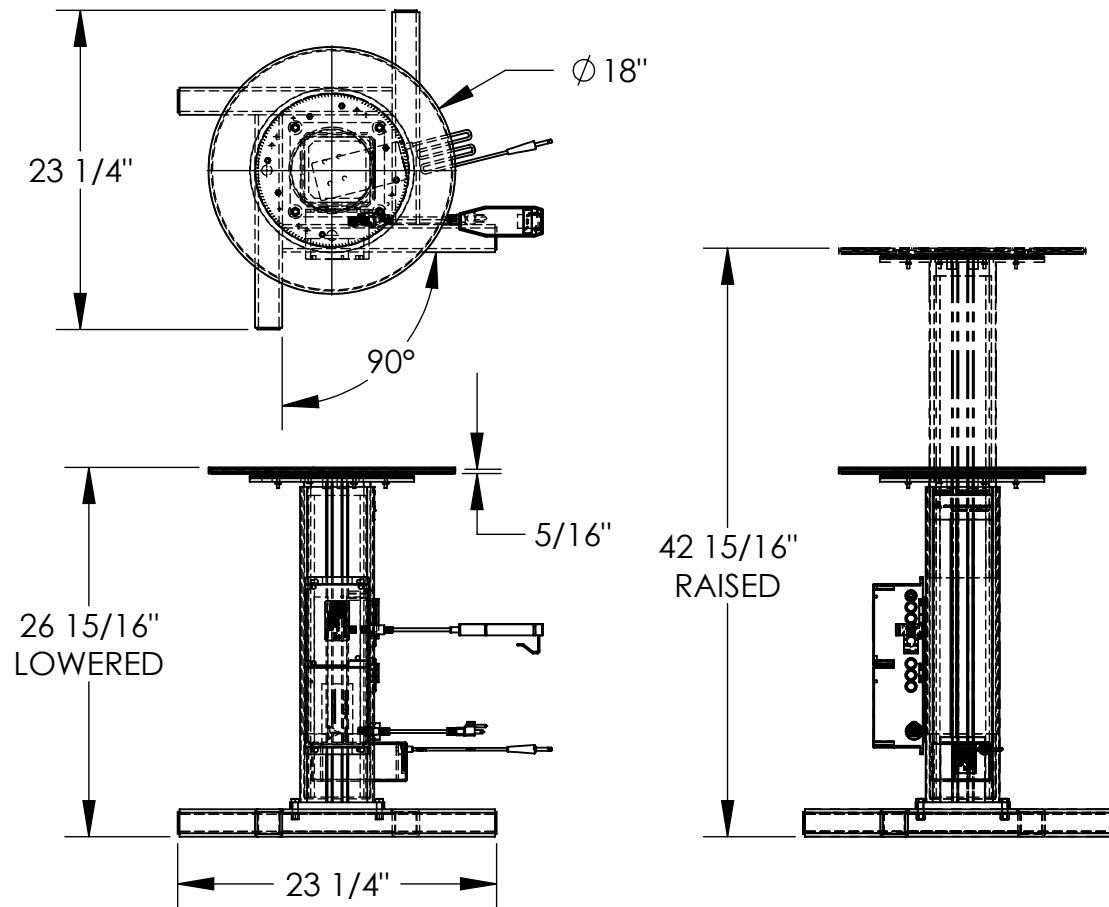


TURNTABLE W/ POWERED HEIGHT ADJUSTMENT - TT-18-LA

APPROX WEIGHT: 103.32 lbs.
 DOES NOT INCLUDE WEIGHT OF POWER OR PACKAGING!!!

*** ANY ADDITIONS, DELETIONS, OR OMISSIONS MUST BE CORRECTED ON THIS DRAWING AS THIS DRAWING WILL BE CONSIDERED ALL INCLUSIVE ***

ALL GRAPHICS PROVIDED ARE FOR REFERENCE ONLY. IF CERTAIN DIMENSIONS ARE CRITICAL PLEASE VERIFY THOSE DIMENSIONS WITH YOUR SALESPERSON



STANDARD FEATURES

MODEL NUMBER IS: TT-18-LA
 UNIFORM CAPACITY IS 750 LBS.
 BASE WIDTH IS 23 1/4"
 BASE DEPTH IS 23 1/4"
 TURNTABLE DIAMETER IS Ø18"
 LOWERED HEIGHT IS 26 15/16"
 RAISED HEIGHT IS 42 15/16"
 LINEAR ACTUATOR POWERED
 HEIGHT ADJUSTMENT
 5/16" TOP PLATE
 RUBBER COVER ON TOP PLATE
 BLUE LIQUID PAINT FINISH

SPECIAL FEATURES

NONE

POWER SPECIFICATIONS

*DC (24V) POWER
 *HAND CONTROL
 *ON-BOARD CHARGER

DIMENSION TOLERANCE ± 1/4"

APPROVAL

I, THE UNDERSIGNED, AGREE THAT THE PRODUCT AS REPRESENTED SATISFIES DESIGN AND DIMENSION REQUIREMENTS. I ALSO ACKNOWLEDGE MY DUTY TO CONFIRM PRODUCT AND INSTALLATION COMPLIANCE WITH ALL APPLICABLE FEDERAL, STATE AND LOCAL REGULATIONS AND STANDARDS.

ANY MODIFIED UNITS ARE NON-RETURNABLE

As drawn As marked

Signed: _____ Date: _____

Printed Name: _____

LEAD TIME WILL START UPON RECEIPT OF SIGNED APPROVAL DRAWING

FOR INTERNAL USE ONLY PROJECT SIGN OFF	
SALES	
ENG.	
FAB.	
POWER	

DISTRIBUTOR'S NAME:		P.O.#
VESTIL MANUFACTURING		X
DRAWN BY: MB	DATE: 06/13/08	W.O.#
REFERENCE: X	SCALE: 1:14	X
QUOTED LEAD TIME: X	QUOTE #	FILE NAME:
	X	20-007-100